



VEHICLE	KIT	CROSSBAR
Kia Rio 5dr hatch UB	DK320	SZ126
RUNNING DATES	2012- 2016	
VEHICLE NOTES		

VISIT THE ONLINE CALCULATOR FOR CURRENT SYSTEM LOAD LIMIT DATA



DYNAMIC ROAD LOAD LIMIT (NOTE: DIFFERENT ON AND OFF ROAD CARGO LIMIT)
***USE THE VEHICLE MANUFACTURER'S MAXIMUM ROOF ALLOWANCE IF IT IS LOWER THAN THE FIGURE LISTED**

LOAD LIMIT	SYSTEM WEIGHT	ON ROAD CARGO LIMIT	OFF ROAD CARGO LIMIT (ON ROAD CARGO LIMIT / 2)
UP TO 60 kg * 132 lb	5 kg 11 lb	UP TO 55 kg 121 lb	UP TO 28 kg 61 lb

OR

PAD AND CLAMP DETAILS

PLATE ID: M311

PAD ID: M366

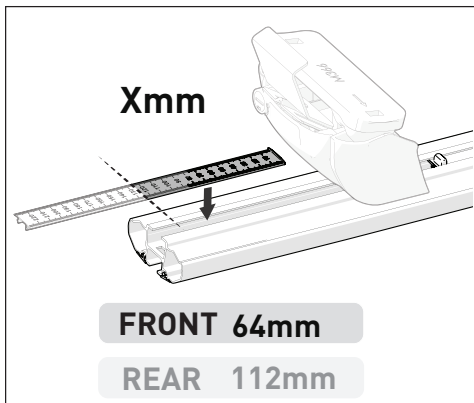
CLAMP ID: SUB0264

PLATE ID: M311

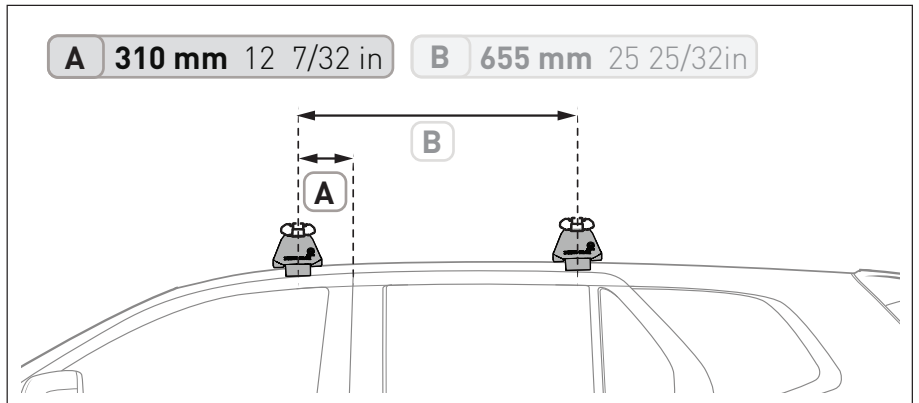
PAD ID: M367

CLAMP ID: SUB0381

MEASUREMENT STRIPS



VEHICLE POSITIONING



NOTES FOR DEALERS / FITTERS

It is your responsibility to ensure these fitting instructions are given to the end user or client.